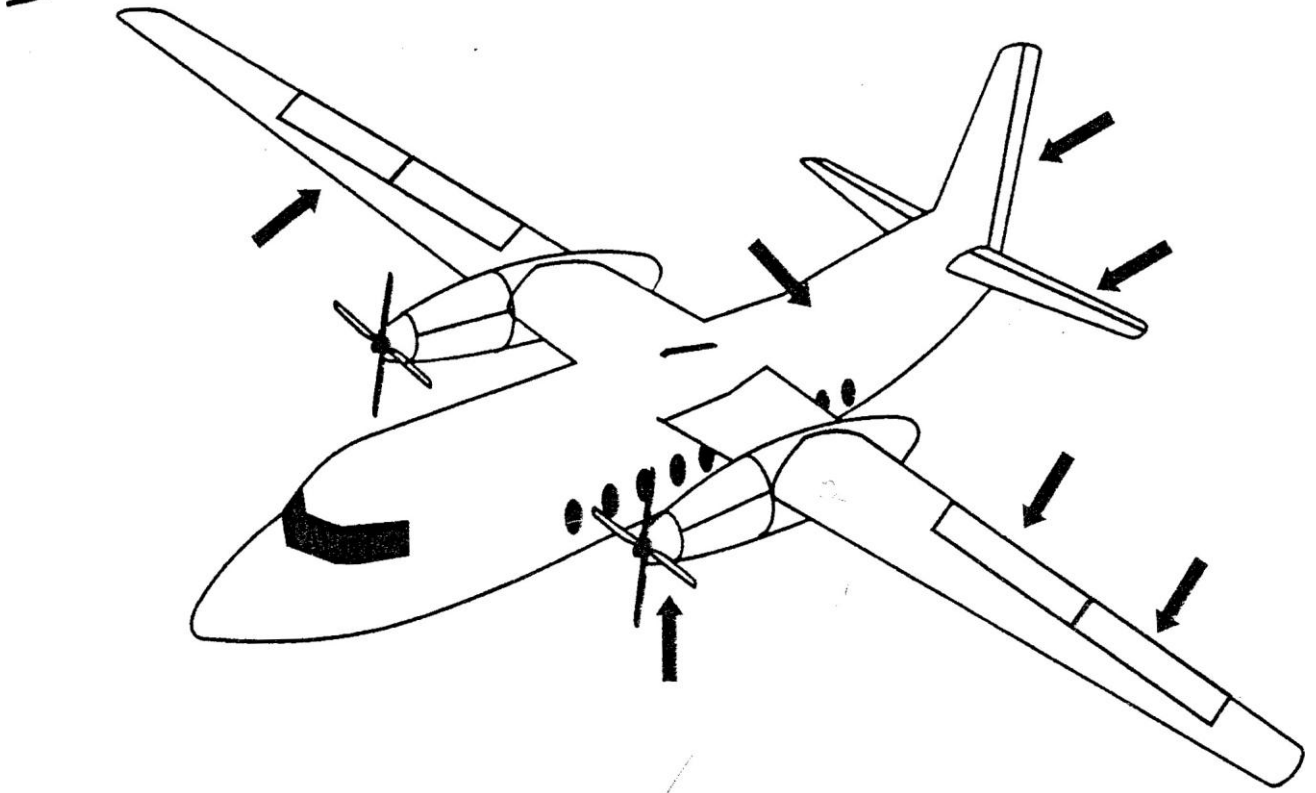


Characteristics
of Flight

Parts of a Plane



Ailerons -

Elevator -

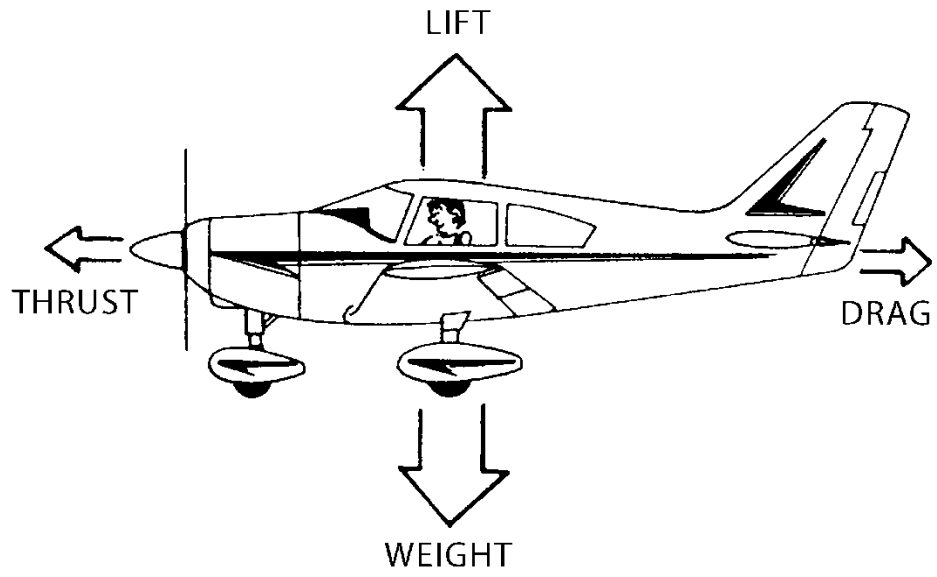
Flaps -

Fuselage -

Propeller -

Rudder -

Wing -



Lift

Weight

Thrust

Drag