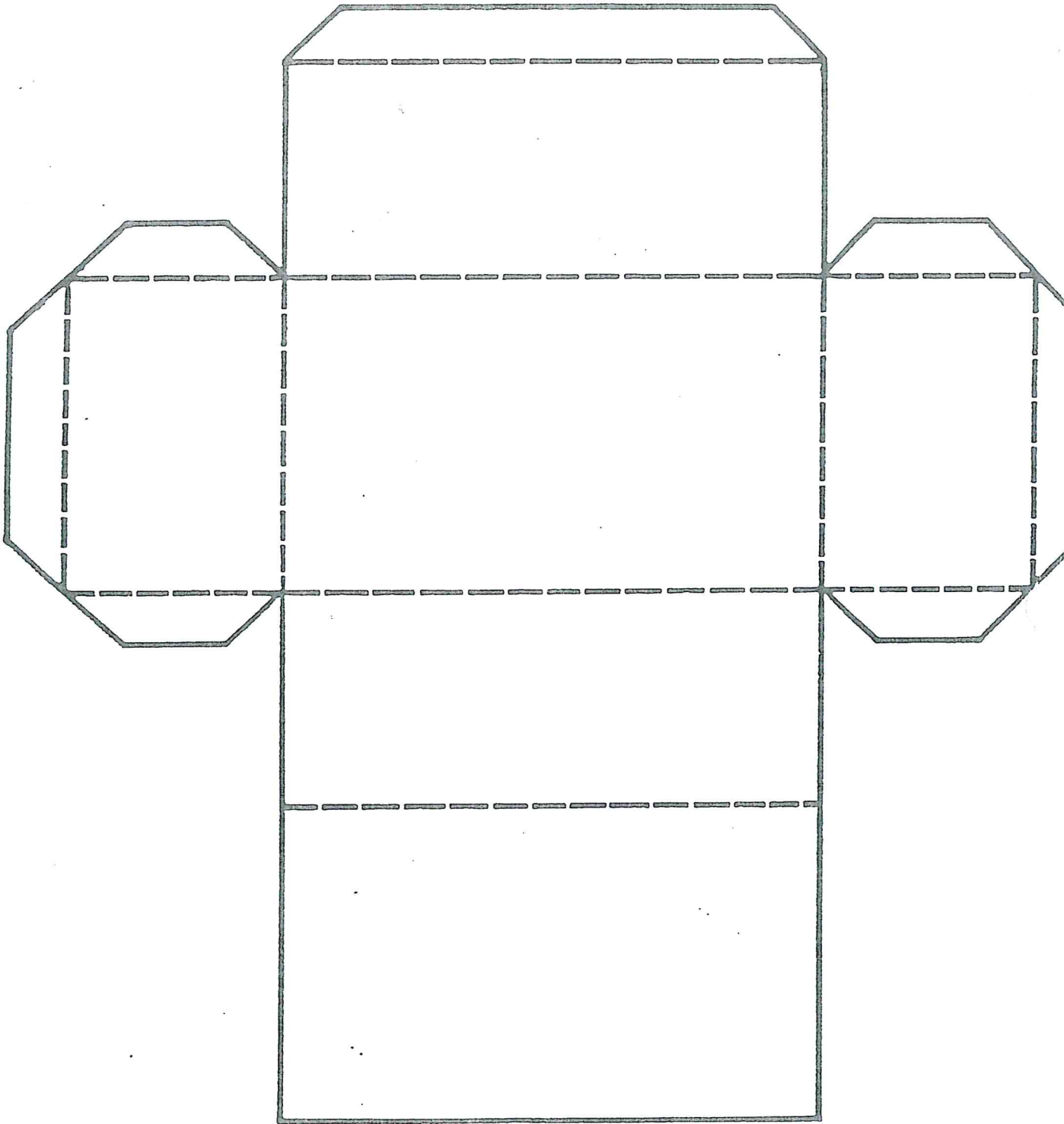
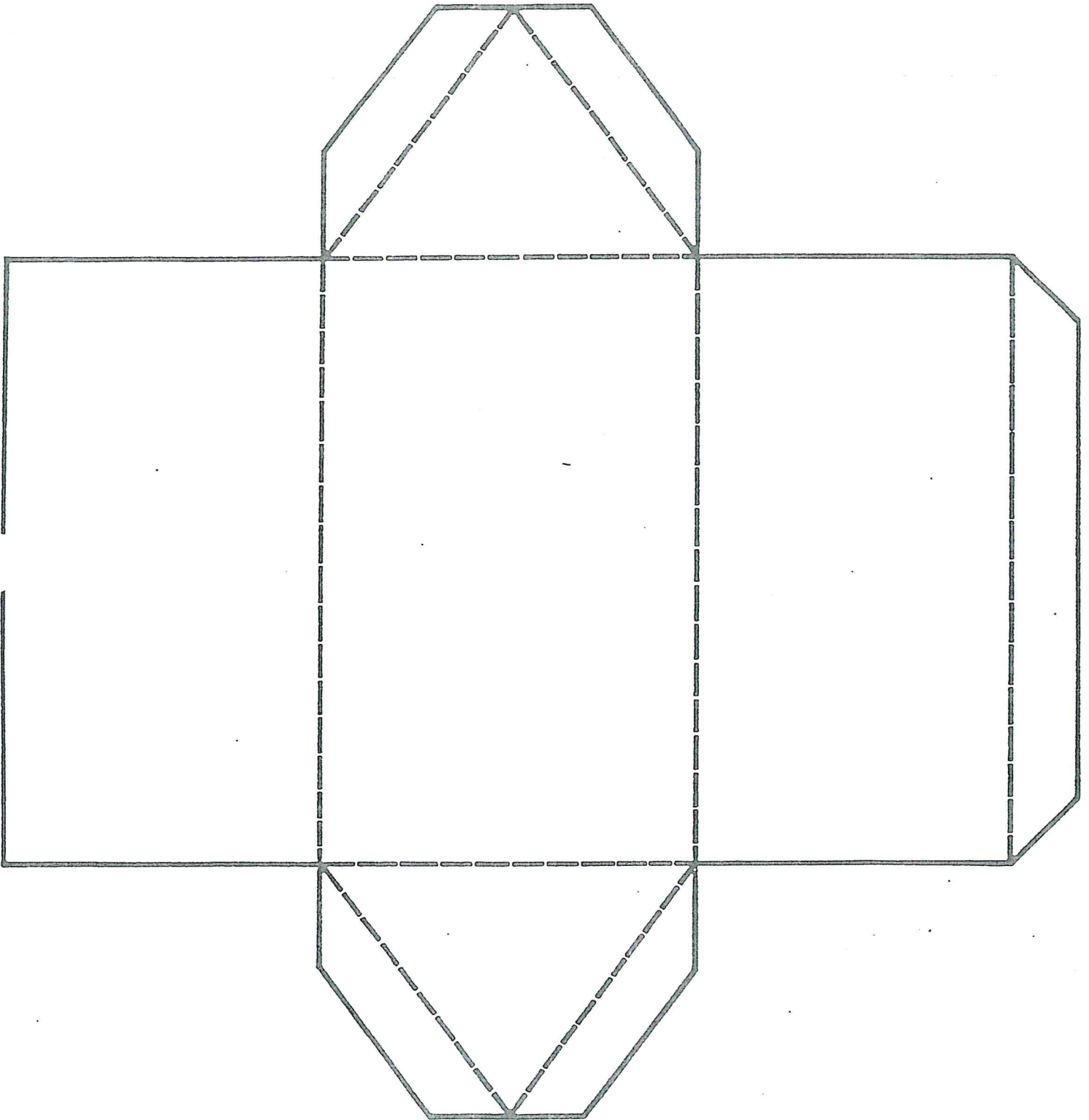


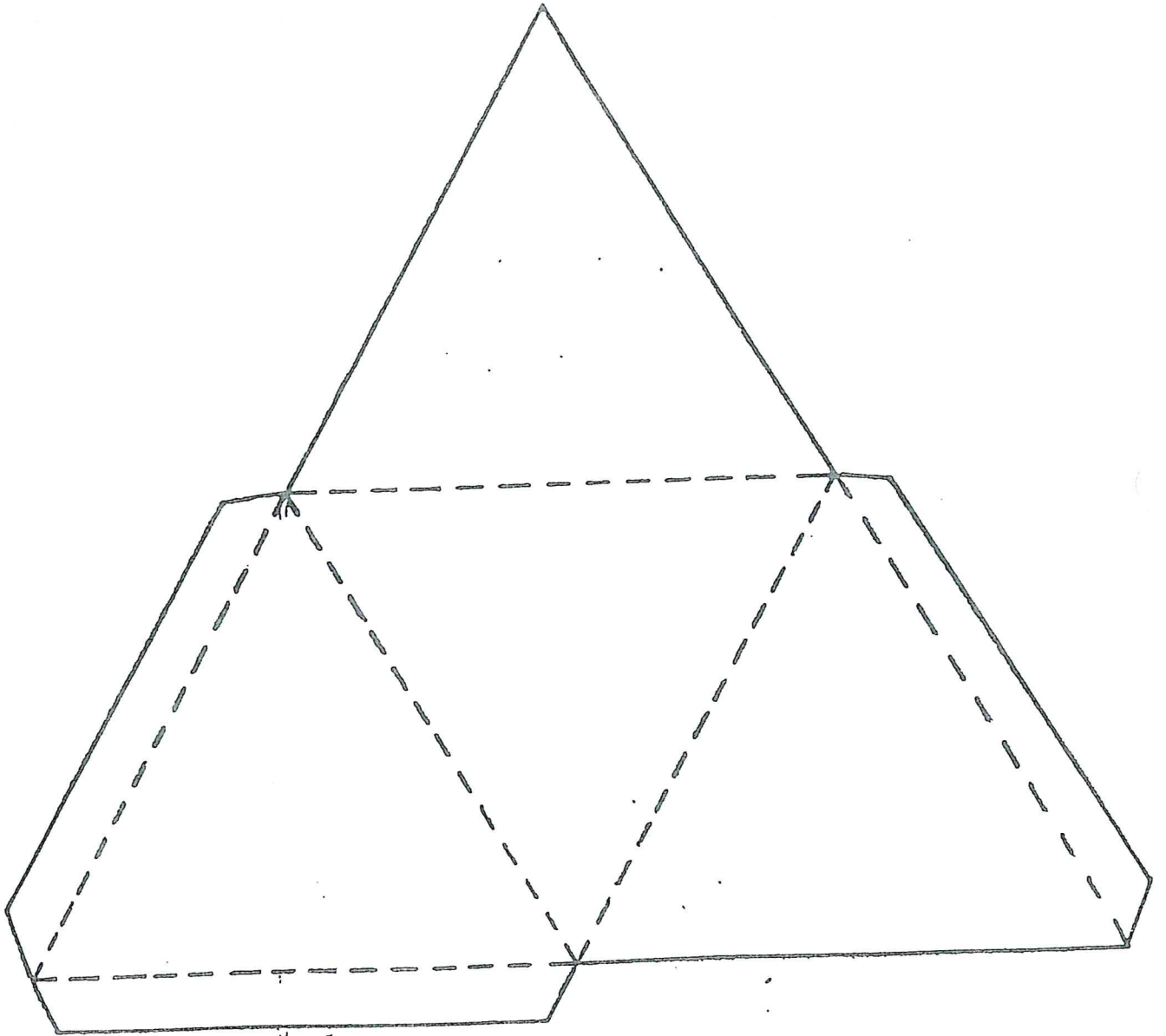
RECTANGULAR PRISM

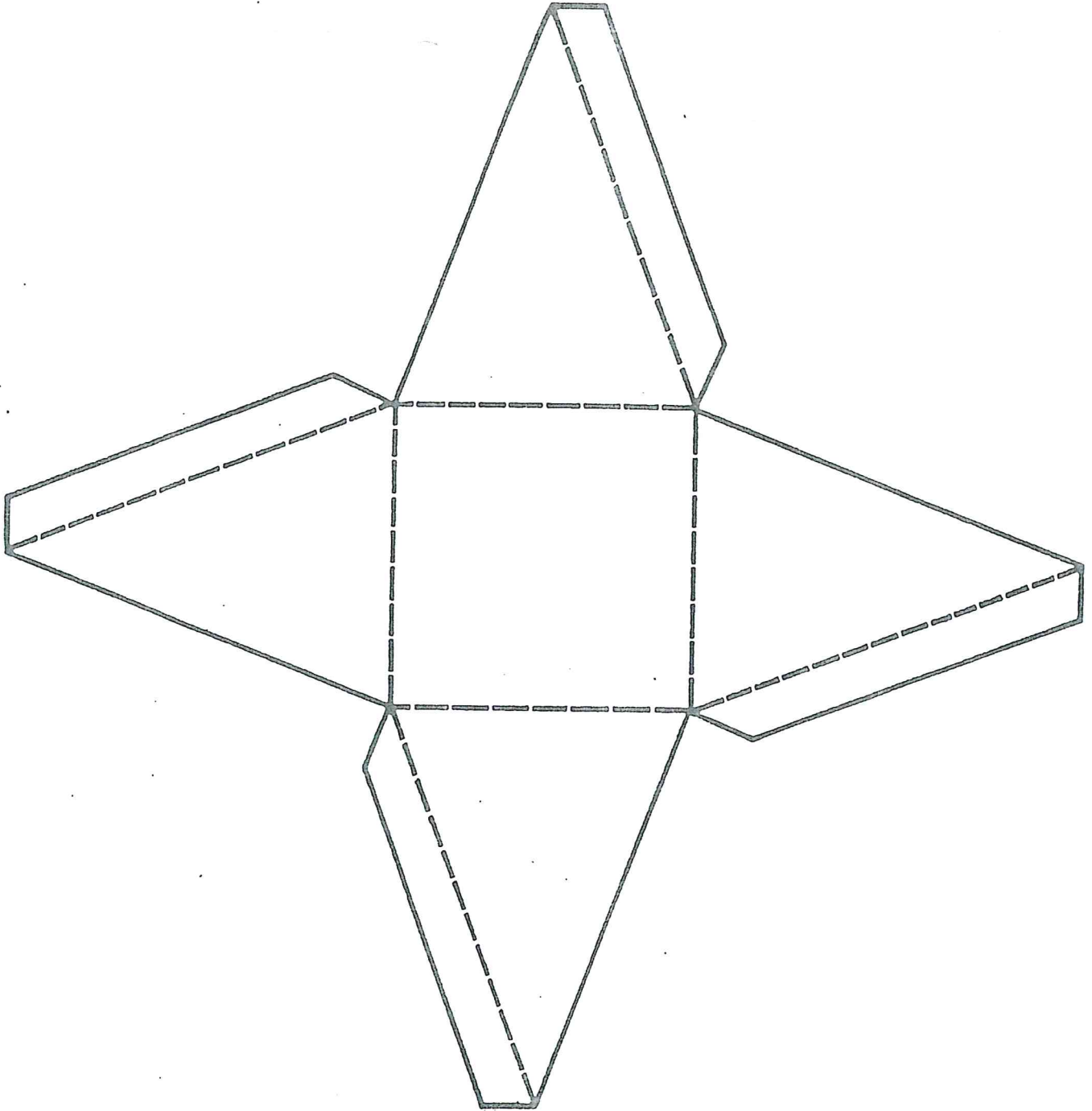


TRIANGULAR PRISM



TETRAHEDRON





SQUARE PYRAMID