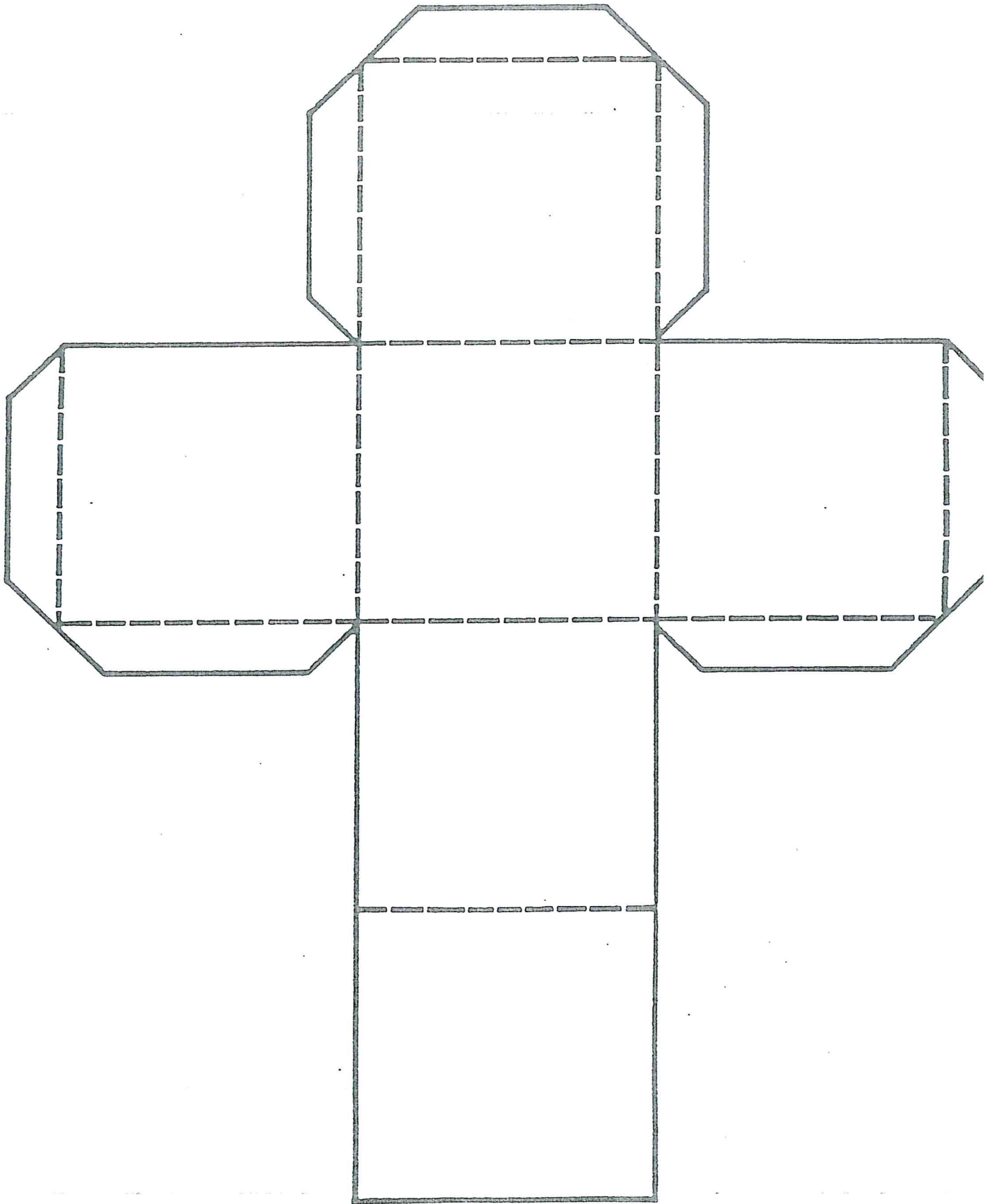
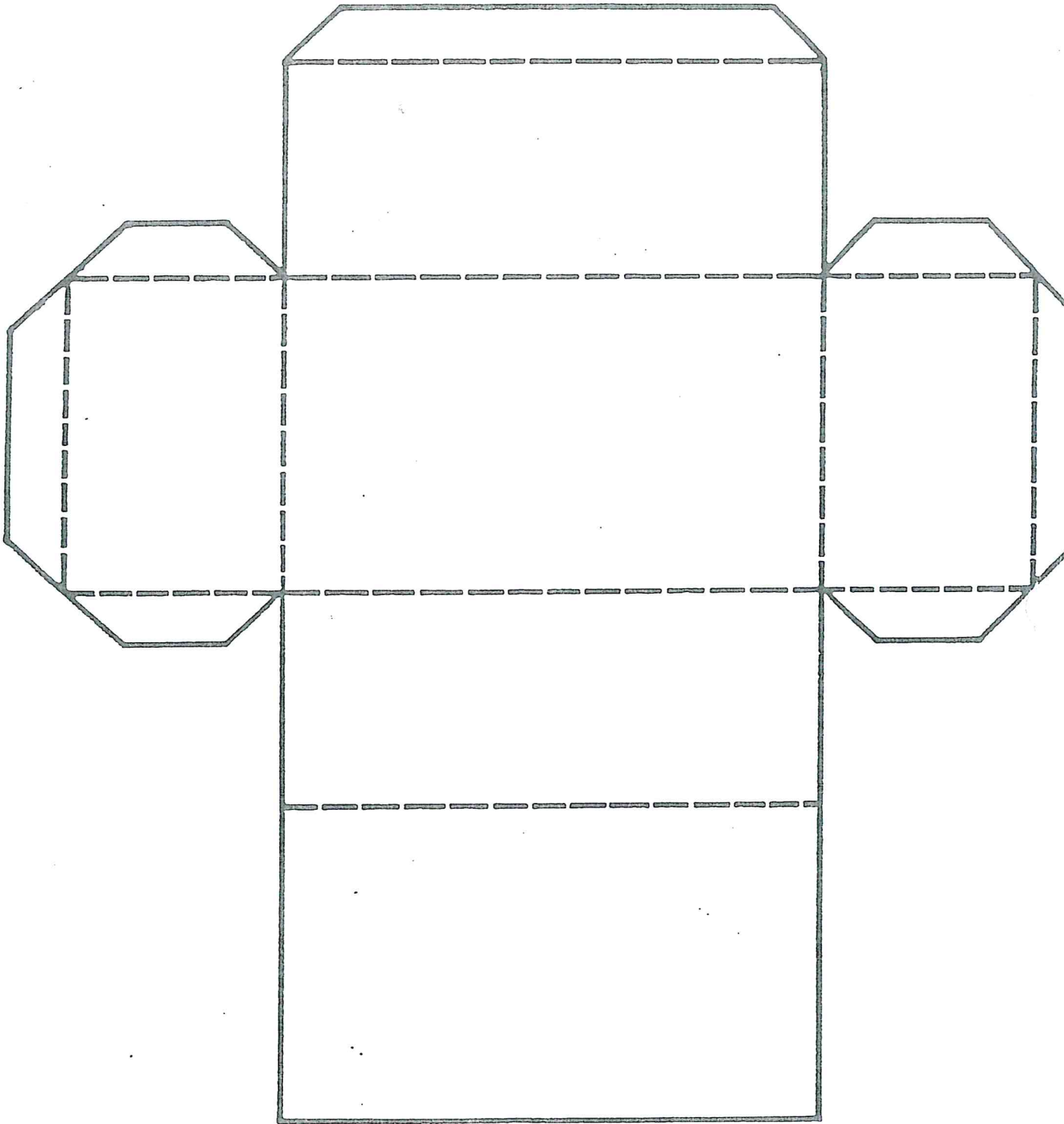


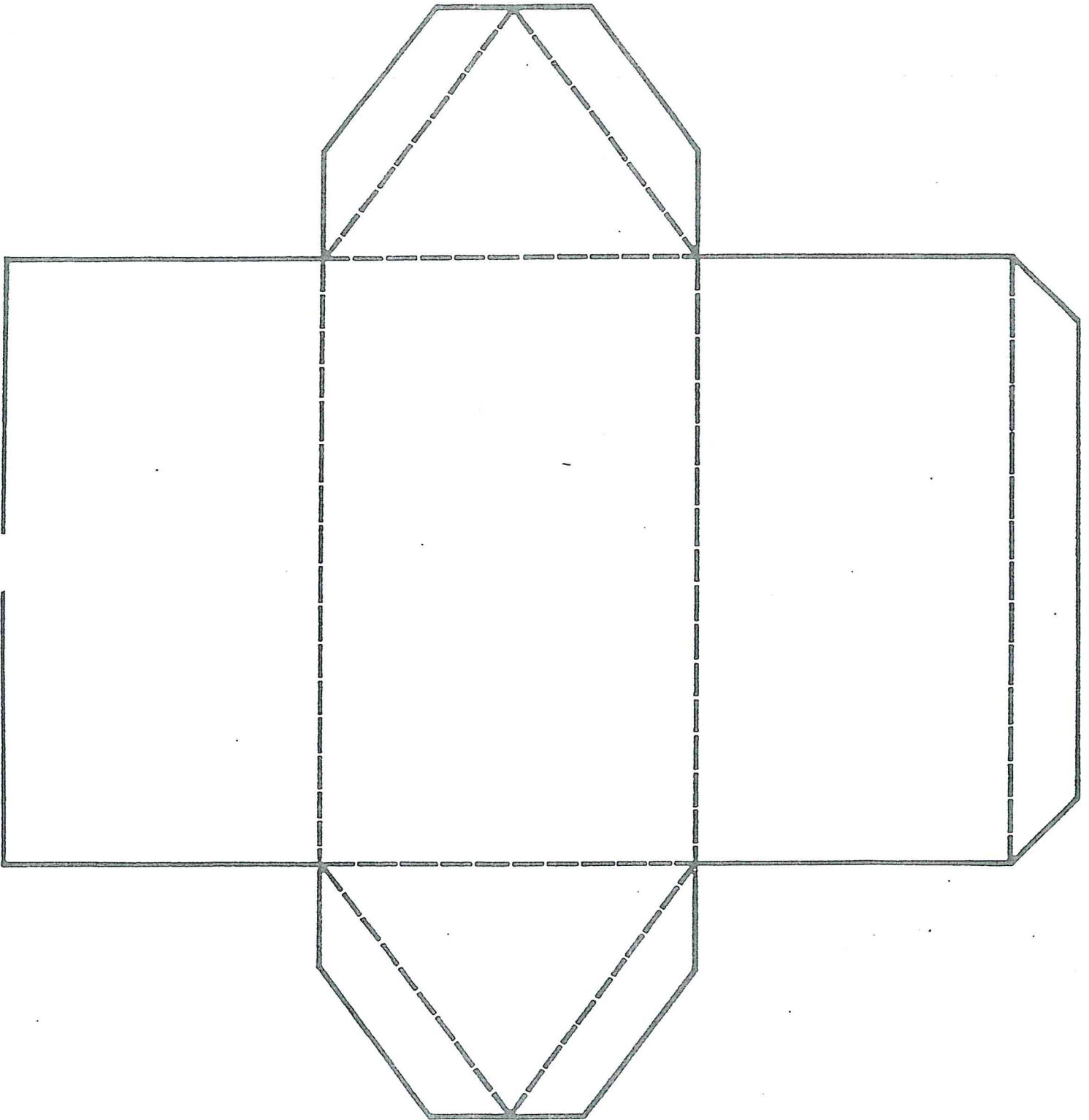
CUBE



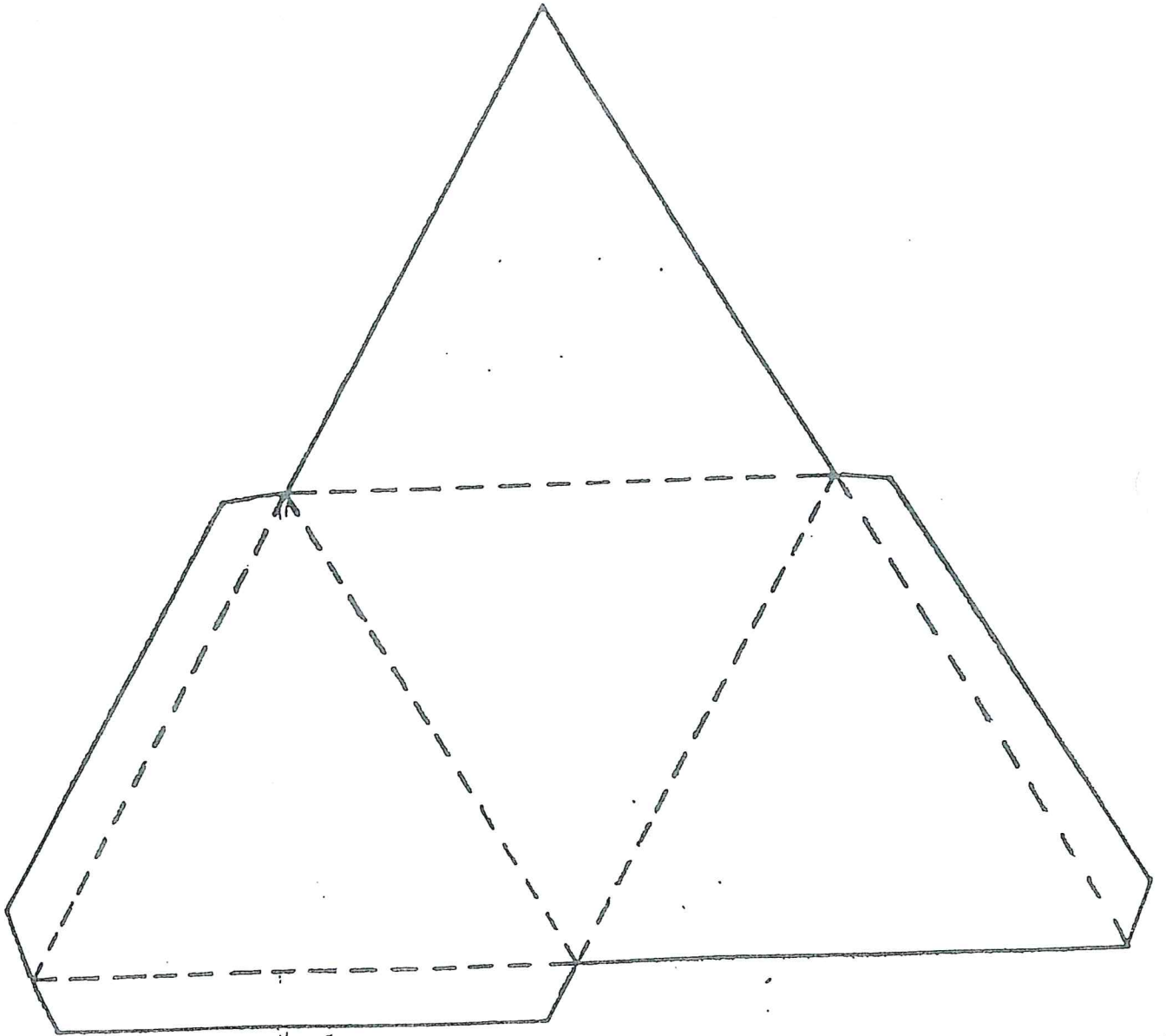
RECTANGULAR PRISM

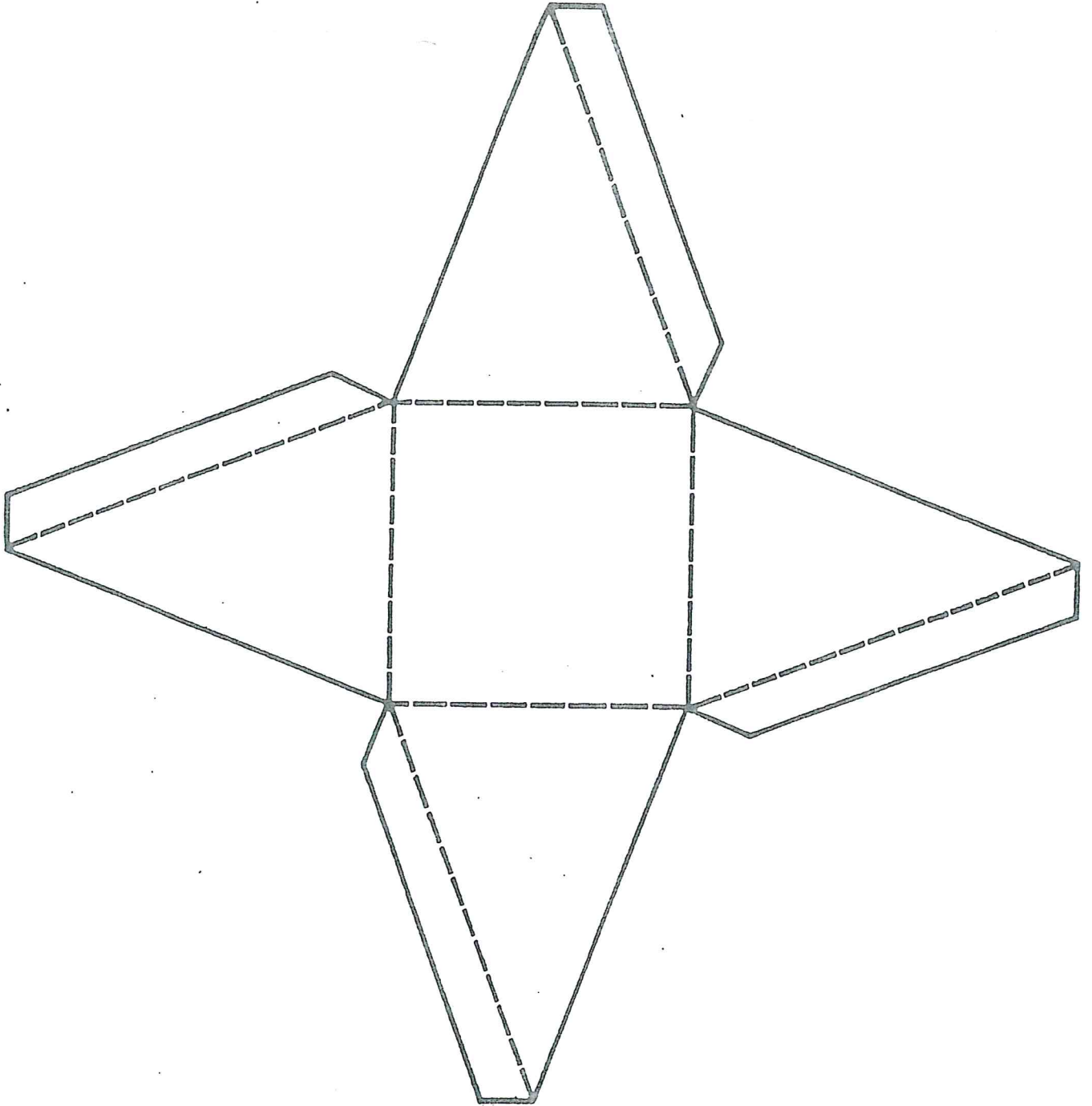


TRIANGULAR PRISM

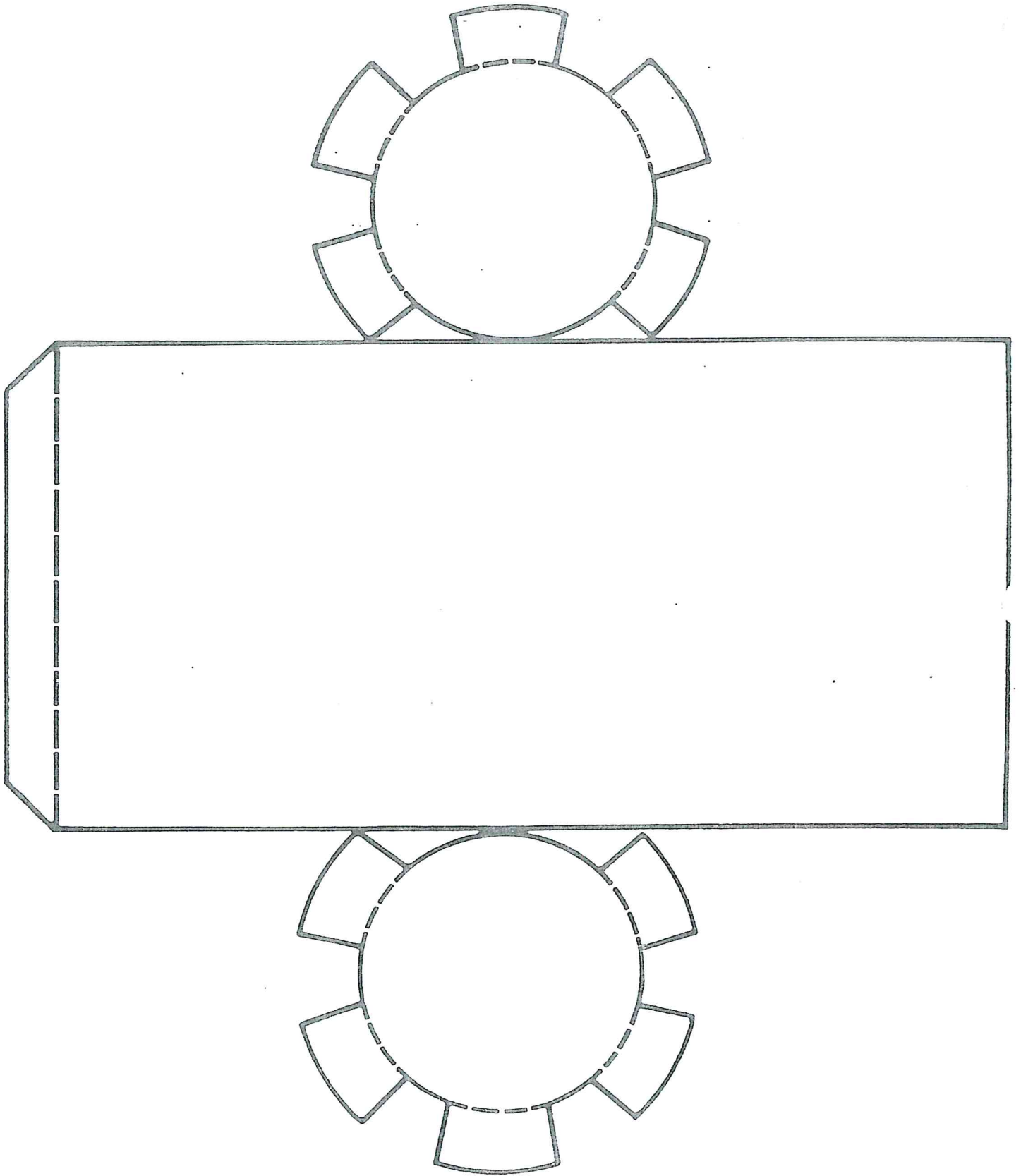


TETRAHEDRON

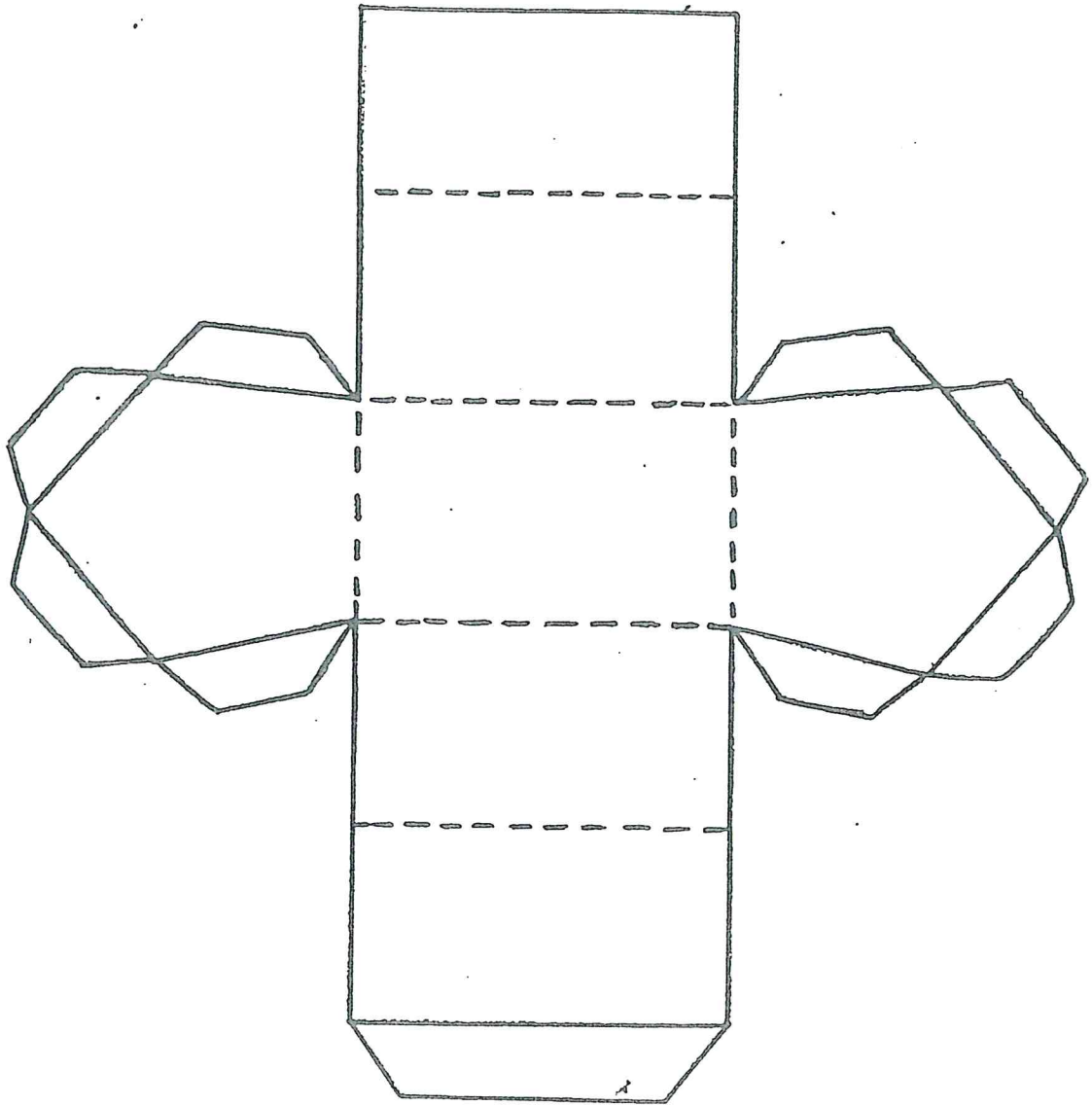




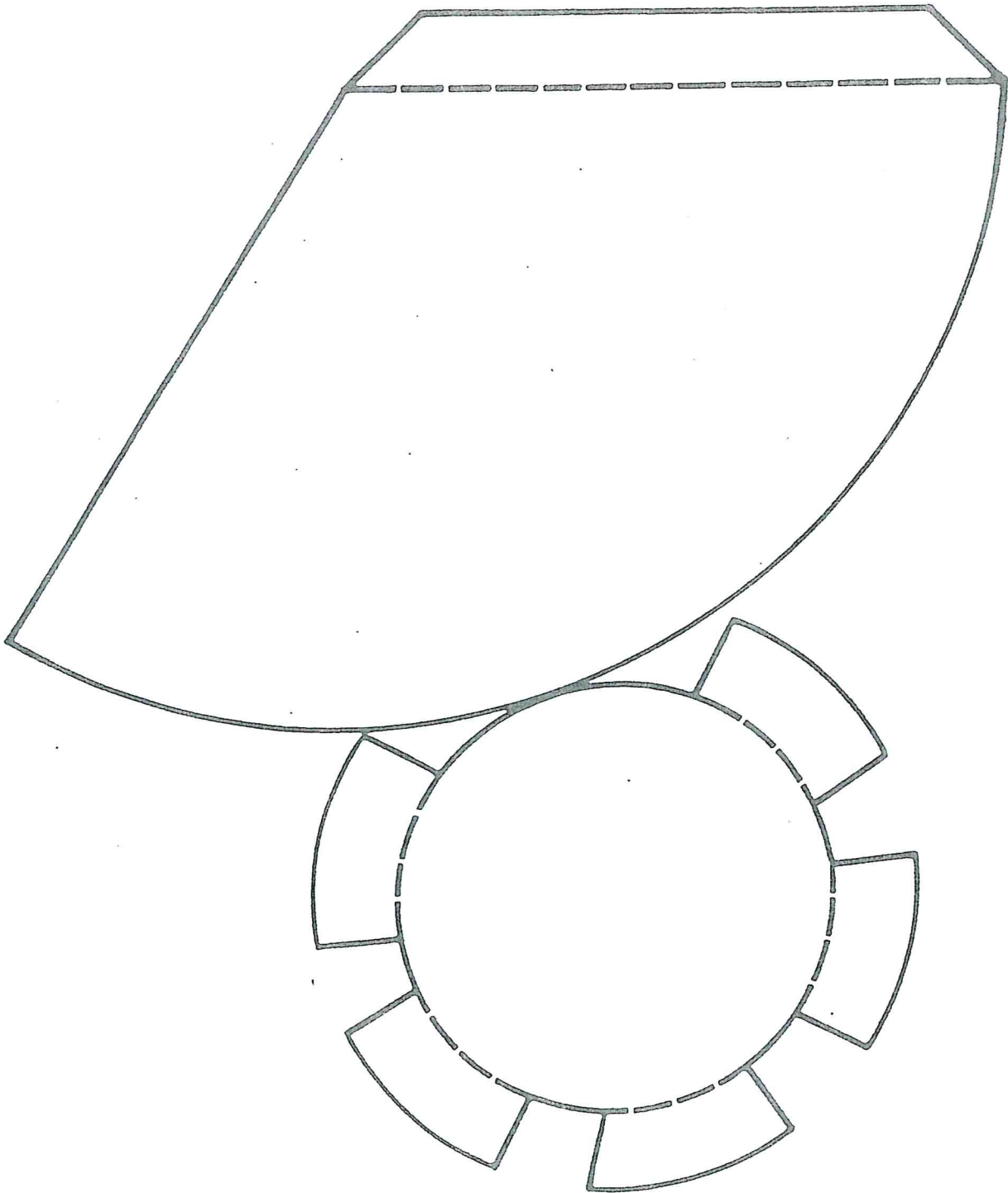
SQUARE PYRAMID



CYLINDER

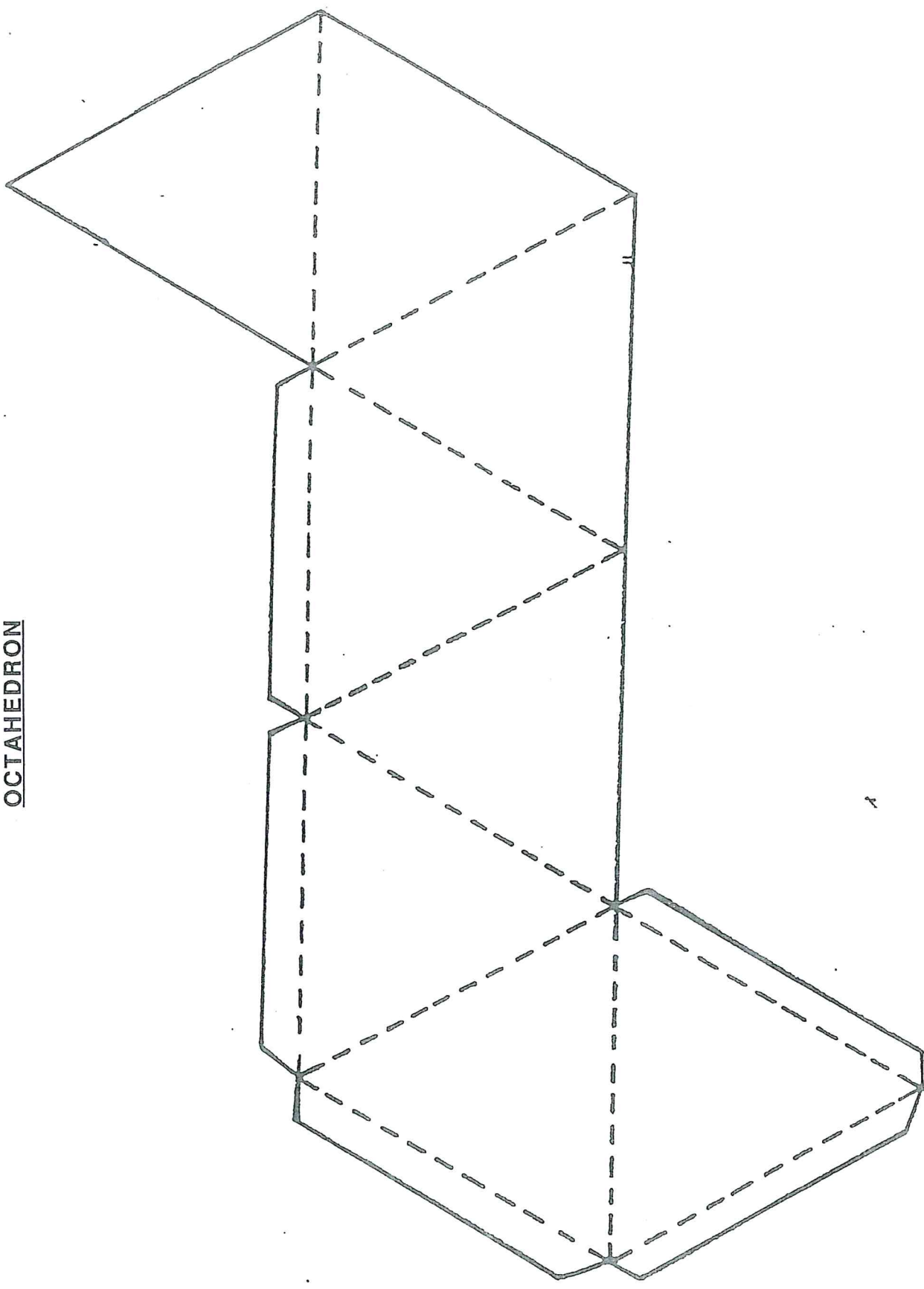


PENTAGONAL PRISM

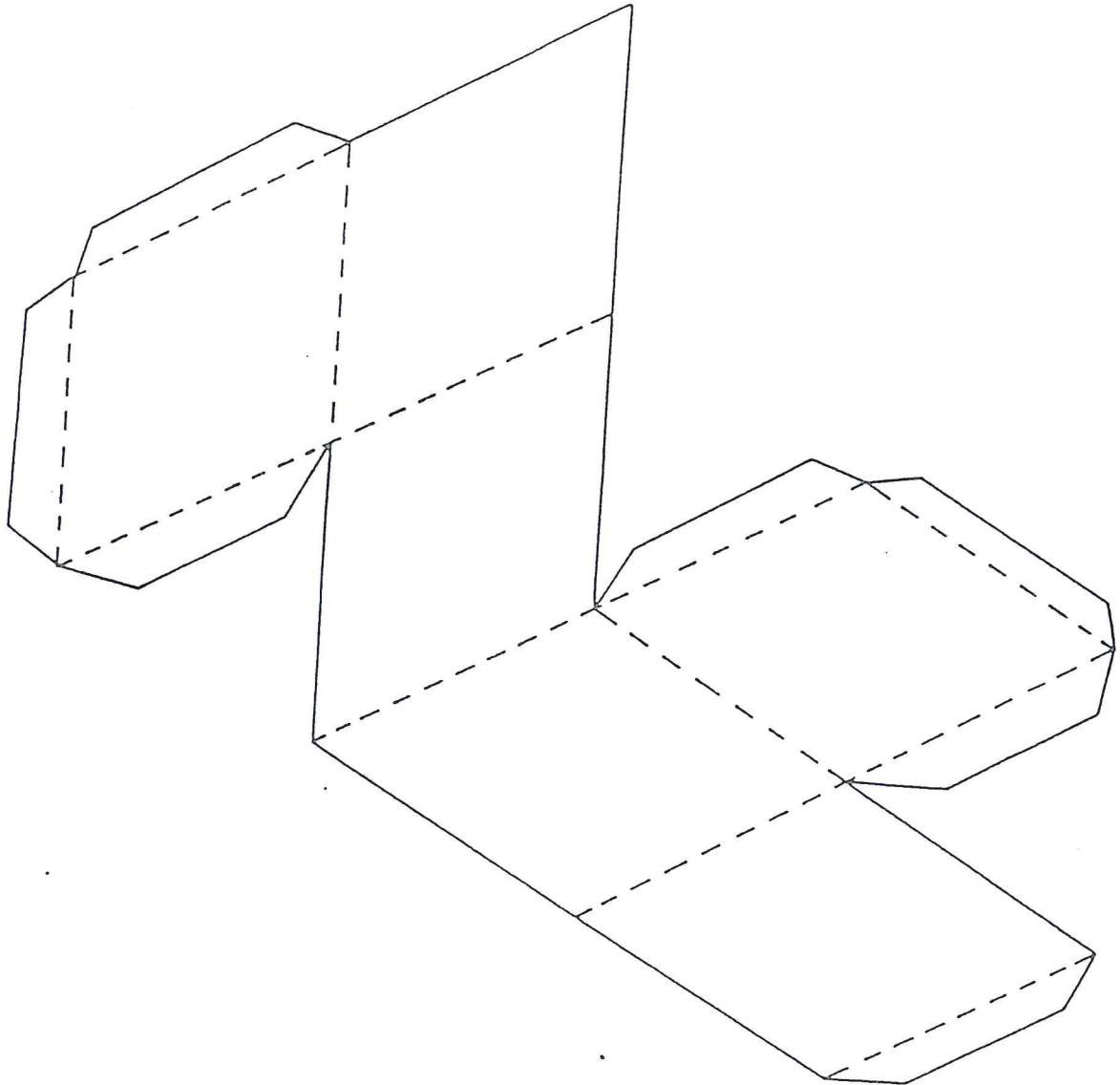


CONE

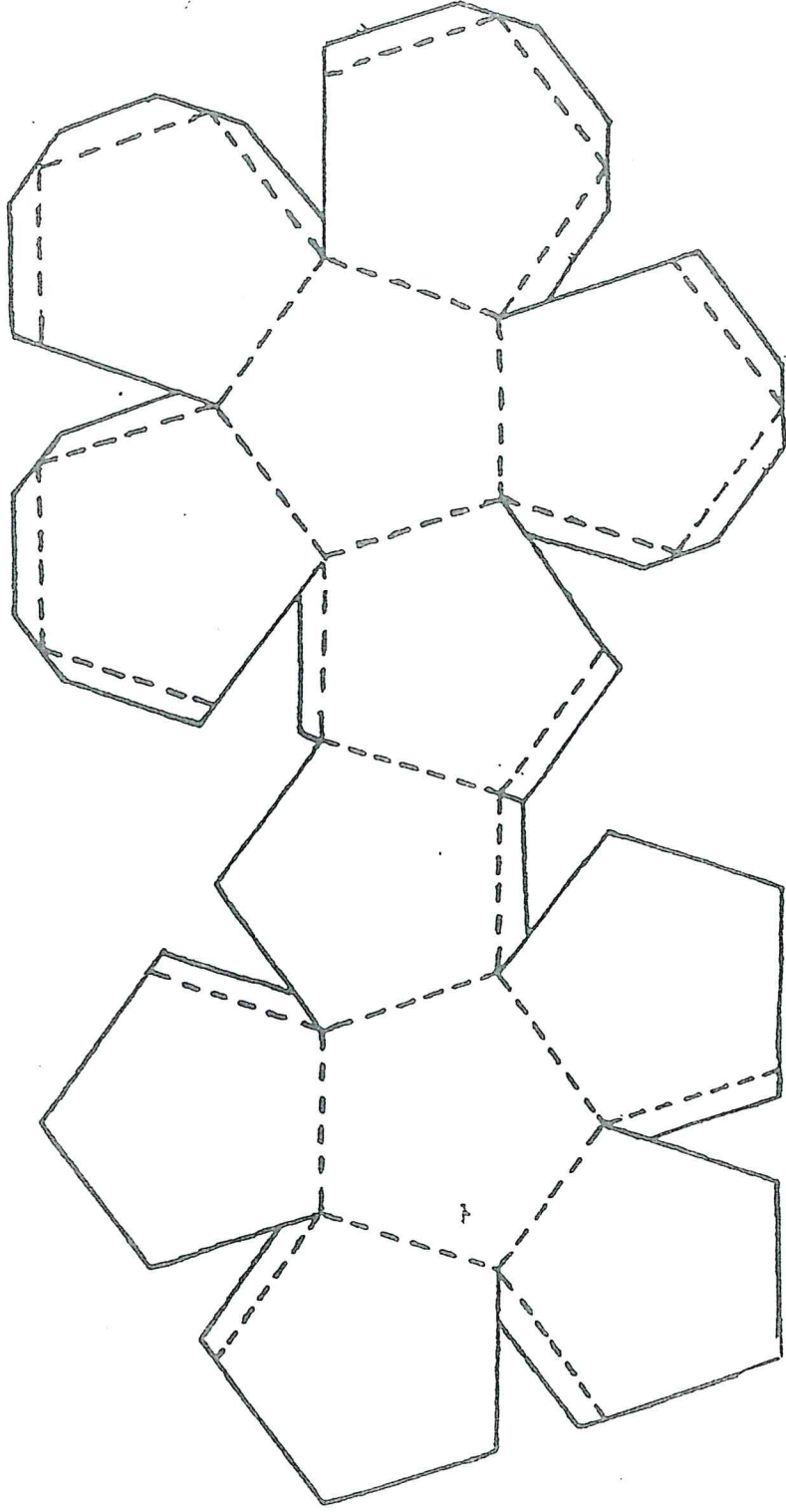
OCTAHEDRON



PARALLELOPIPED



DODECAHEDRON



ICOSAHEDRON

